

High Voltage Transformer

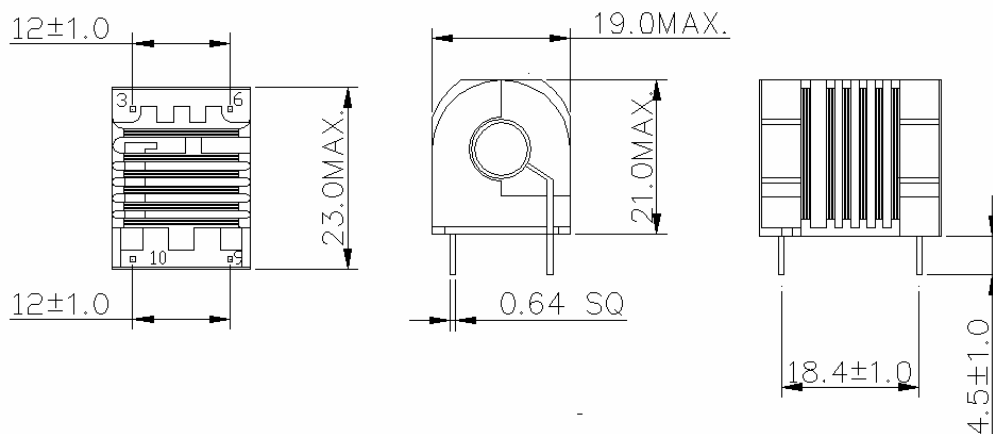
TYPE:UR-R

Applications:

- GAS IGNITER.
- OIL IGNITER.
- AIR CLEANER.
- ELECTRONIC OZONIZER.
- H.I.D LAMP STARTER 35 WATT MAX.

MECHANICAL DIMENSION:

UNIT mm



P/N	L(PIN9→PIN6)	L(PIN10→PIN3)	DCR(PIN9→PIN6)	DCR(PIN10→PIN3)
JC-3532	31.5 μ H±15%	250mH±15%	115m Ω MAX.	700 Ω MAX.
JC-96021	22.5 μ H±15%	83.5mH±15%	75m Ω MAX.	220 Ω MAX.

JET CHAM ENTERPRISE CO.,LTD

ADDRESS: 3F. NO.41 CHIAU AN ST. CHUNG HO CITY TAIPEI HSIEN, TAIWAN R.O.C.

OFFICE TEL:886-2-29253396 ~ 7 FAX.:886-2-29288877

FACTORY TEL:886-2-22447326 ~ 7 FAX.:886-2-22447328

E-mail:jetcham.coil@msa.hinet.net