

Ignition Transformer

TYPE:TR09-S013

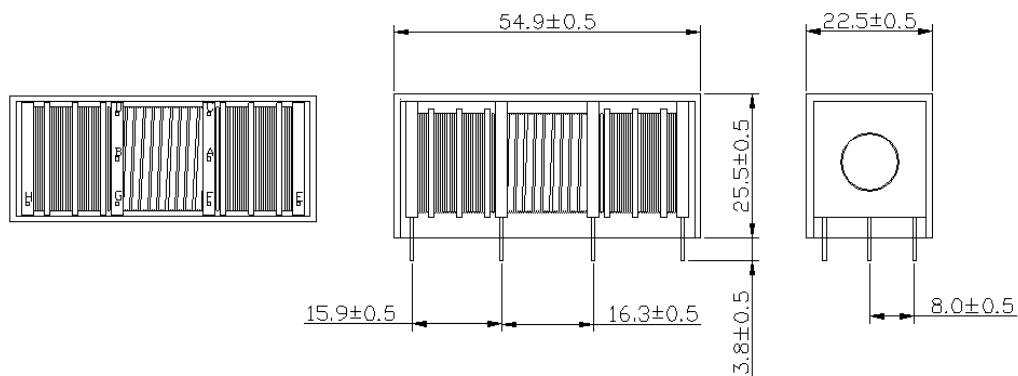
Applications:

- GAS IGNITER.
- OIL IGNITER.
- HID STARTER 150 WATT MAX

※Remark:Below here which specific could depend on customized specifications are acceptable.

MECHANICAL DIMENSION:

UNIT :mm



P/N	L (PIN C→PIN D)	L (PIN E→PIN H)	L (PIN F→PIN E)	L (PIN G→PIN H)	L (PIN B→PIN A)	L (PIN D→PIN C)	URNS RATIO	WEIGHT
JC-96027			450mH±15%	450mH±15%	4.4mH±15%	6.8μH±20%	260:10:3100×2	64 g
JC-104019	63μH±20%		440mH±15%	440mH±15%			53:3100×2	62 g
JC-98025	160μH±20%	1.1H±15%					1:124	61 g
JC-96048H	1.2μH±20%		700mH±20%	700mH±15%			1:62	91 g

JET CHAM ENTERPRISE CO.,LTD

ADDRESS: 3F. NO.41 CHIAU AN ST. CHUNG HO DIST .NEW TAIPEI CITY, TAIWAN R.O.C.

OFFICE TEL:886-2-29253396 ~ 7 FAX.:886-2-29288877

FACTORY TEL:886-2-22447326 ~ 7 FAX.:886-2-22447328

E-mail: jetcham@ms35.hinet.com / jetcham.coil@msa.hinet.net