

High Voltage Transformer

TYPE:TR06-S002 UR-18

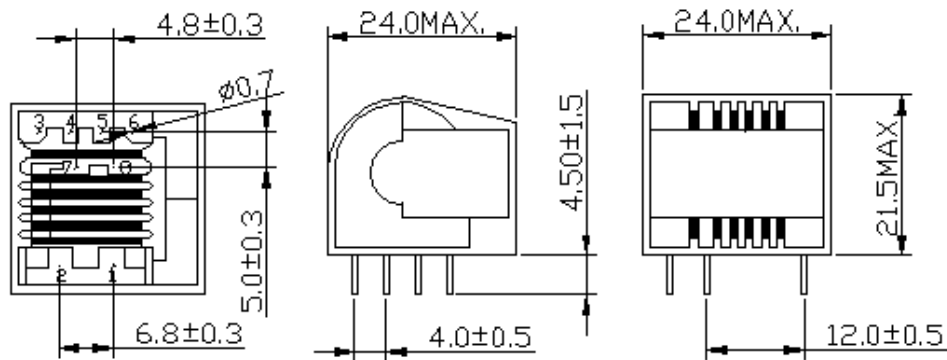
Applications:

- AIR CLEANER.
- ELECTRONIC OZONIZER.
- ANTI-STATIC PRODUCTS

※Remark:Below here which specific could depend on customized specifications are acceptable.

MECHANICAL DIMENSION:

UNIT mm



P/N	L (PIN3→PIN5)	L (PIN4→PIN6)	L (PIN7→PIN1)	DCR (PIN3→PIN5)	DCR (PIN4→PIN6)	DCR (PIN7→PIN1)	TURNS RATIO	WEIGHT
JC-93005A	21.5μH±20%	12.0μH±20%	1.23H±15%	110mΩ MAX.	100mΩ MAX.	545Ω MAX.	1:250	24 g
P/N	L (PIN6→PIN4)	L (PIN3→PIN5)	L (PIN7→PIN1)	DCR (PIN6→PIN4)	DCR (PIN3→PIN5)	DCR (PIN7→PIN1)	TURNS RATIO	WEIGHT
JC-00013	41μH ±20%	4.9mH ±15%	2.4H ±15%	288mΩ MAX.	8.3Ω MAX.	656Ω MAX.	10:110:2500	24 g
P/N	L (PIN3→PIN4) (PIN4→PIN5)	L (PIN8→PIN6)	L (PIN7→PIN1)	DCR (PIN3→PIN4) (PIN4→PIN5)	DCR (PIN8→PIN6)	DCR (PIN7→PIN1)	TURNS RATIO	WEIGHT
JC-88090	60μH ±20%	3.8μH ±20%	1.8H ±15%	200mΩ MAX.	64mΩ MAX.	440Ω MAX.	1:175	24 g
JC-92059	54μH ±20%	4μH ±20%	2.55H ±20%	160mΩ MAX.	62mΩ MAX.	740Ω MAX.	1:227	24 g
P/N	L (PIN3→PIN6)	L (PIN7→PIN1)		DCR (PIN3→PIN6)	DCR (PIN7→PIN1)		TURNS RATIO	WEIGHT
JC-87021	19μH±20%	4.5H±20%		43mΩ MAX	1380Ω MAX		1:500	23 g

JET CHAM ENTERPRISE CO.,LTD

ADDRESS: 3F. NO.41 CHIAU AN ST. CHUNG HO DIST .NEW TAIPEI CITY, TAIWAN R.O.C.

OFFICE TEL:886-2-29253396 ~ 7 FAX.:886-2-29288877

FACTORY TEL:886-2-22447326 ~ 7 FAX.:886-2-22447328

E-mail: jetcham@ms35.hinet.com / jetcham.coil@msa.hinet.net