

High Voltage Transformer

TYPE:TR05-S004 FUT 26 EC

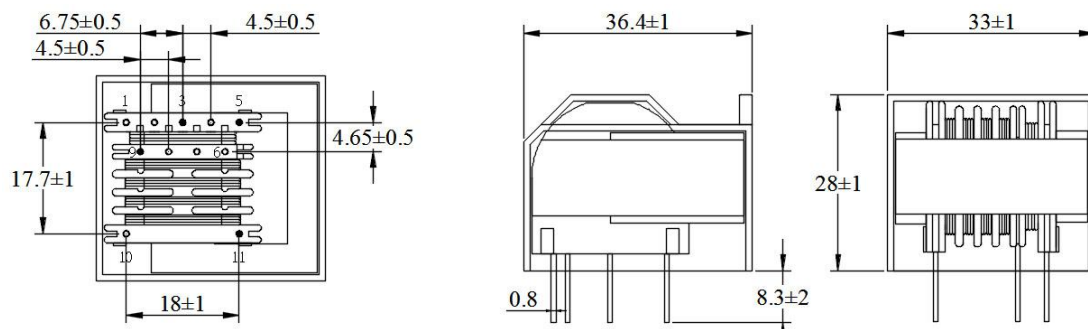
Applications:

- ELECTROSTATIC PRODUCTS.
- AIR CLEANER.
- ELECTRONIC OZONIZER.
- RANGE HOOD.

※Remark:Below here which specific could depend on customized specifications are acceptable.

MECHANICAL DIMENSION:

UNIT mm



P/N	L _{1pri.}	L _{2pri.}	L _{3pri.}	L _{sec.}	TURNS RATIO	WEIGHT
JC-104025EC	39μH±20%			1.28H±15%	1:190	62 g
JC-104027EC	68μH±15%	68μH±15%	6.0μH±20%	3.5H±15%	1:260	63 g
JC-108010EC	49μH±15%	49μH±15%	4.3μH REF	3.0H±15%	1:250	65 g

JET CHAM ENTERPRISE CO.,LTD

ADDRESS: 3F. NO.41 CHIAU AN ST. CHUNG HO DIST .NEW TAIPEI CITY, TAIWAN R.O.C.

OFFICE TEL:886-2-29253396 ~ 7 FAX.:886-2-29288877

FACTORY TEL:886-2-22447326 ~ 7 FAX.:886-2-22447328

E-mail: jetcham@ms35.hinet.com / jetcham.coil@msa.hinet.net