

Ignition Coil

TYPE:TR04-S005 EC

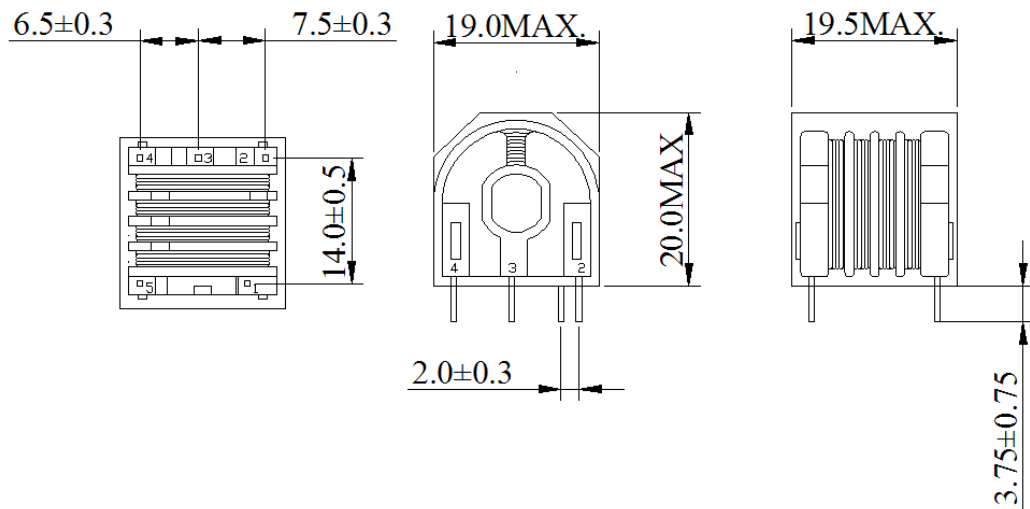
Applications:

- GAS IGNITER.
- AIR CLEANER.

※Remark:Below here which specific could depend on customized specifications are acceptable.

MECHANICAL DIMENSION:

UNIT mm



P/N	L (PIN4→PIN3)	L (PIN1→PIN2)	DCR (PIN4→PIN3)	DCR (PIN1→PIN2)	TURNS RATIO	WEIGHT
JC-90086EC	$4.0\mu\text{H} \pm 20\%$	$170 \text{ mH} \pm 20\%$	$57\text{m}\Omega \text{ MAX.}$	$765\Omega \text{ MAX.}$	1:225	11.5 g
JC-98004	$12.0\mu\text{H} \pm 15\%$	$295\text{mH} \pm 15\%$	$128\text{m}\Omega \text{ MAX.}$	$1400\Omega \text{ MAX.}$	1:180	12 g
P/N	L (PIN3→PIN4)	L (PIN1→PIN2)	DCR (PIN3→PIN4)	DCR (PIN1→PIN2)	TURNS RATIO	WEIGHT
JC-62046 EC	$16\mu\text{H} \pm 15\%$	$82\text{mH} \pm 15\%$	$180\text{m}\Omega \text{ MAX.}$	$400\Omega \text{ MAX.}$	1:80	11.5 g
JC-1533-47	$11\mu\text{H} \pm 15\%$	$460\text{mH} \pm 15\%$	$120\text{m}\Omega \text{ MAX.}$	$1500\Omega \text{ MAX.}$	1:200	12 g

JET CHAM ENTERPRISE CO.,LTD

ADDRESS: 3F. NO.41 CHIAU AN ST. CHUNG HO DIST .NEW TAIPEI CITY, TAIWAN R.O.C.

OFFICE TEL:886-2-29253396 ~ 7 FAX.:886-2-29288877

FACTORY TEL:886-2-22447326 ~ 7 FAX.:886-2-22447328

E-mail: jetcham@ms35.hinet.com / jetcham.coil@msa.hinet.net