

Ignition Transformer

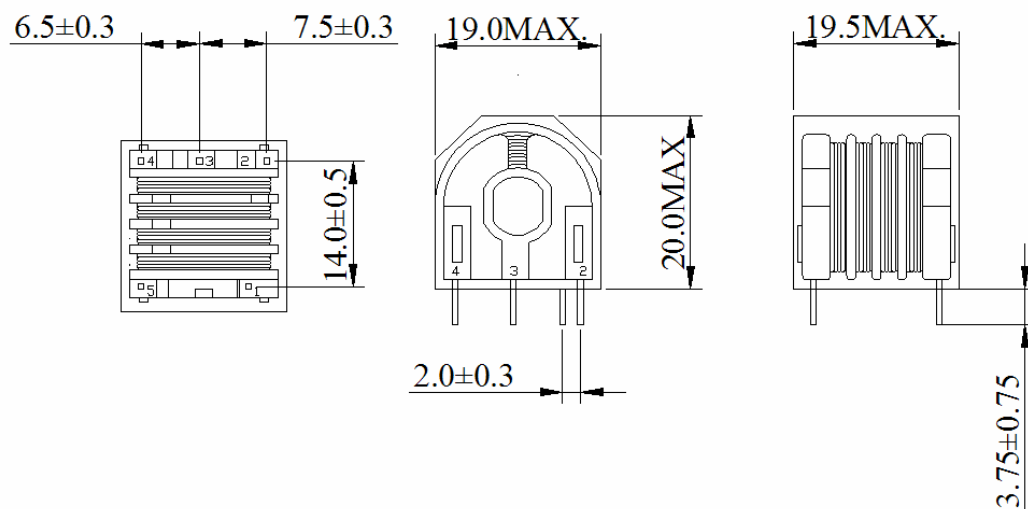
TYPE:TR04-S003C

Applications:

- GAS IGNITER.
- AIR CLEANER.
- AIR CLEANER.
- ELECTRONIC OZONIZER.
- H.I.D LAMP STARTER 35 WATT MAX.

MECHANICAL DIMENSION:

UNIT mm



P/N	Lpri.(PIN4→PIN3)	Lsec. (PIN1→PIN2)	DCRpri. (PIN4→PIN3)	DCRsec. (PIN1→PIN2)
JC-90086C	$4.0 \mu\text{H} \pm 20\%$	$170\text{mH} \pm 20\%$	$57\text{m}\Omega \text{ MAX.}$	$765 \Omega \text{ MAX}$

JET CHAM ENTERPRISE CO.,LTD

ADDRESS: 3F. NO.41 CHIAU AN ST. CHUNG HO CITY TAIPEI HSIEN, TAIWAN R.O.C.

OFFICE TEL:886-2-29253396 ~ 7 FAX.:886-2-29288877

FACTORY TEL:886-2-22447326 ~ 7 FAX.:886-2-22447328

E-mail:jetcham.coil@msa.hinet.net