

# Ignition Transformer

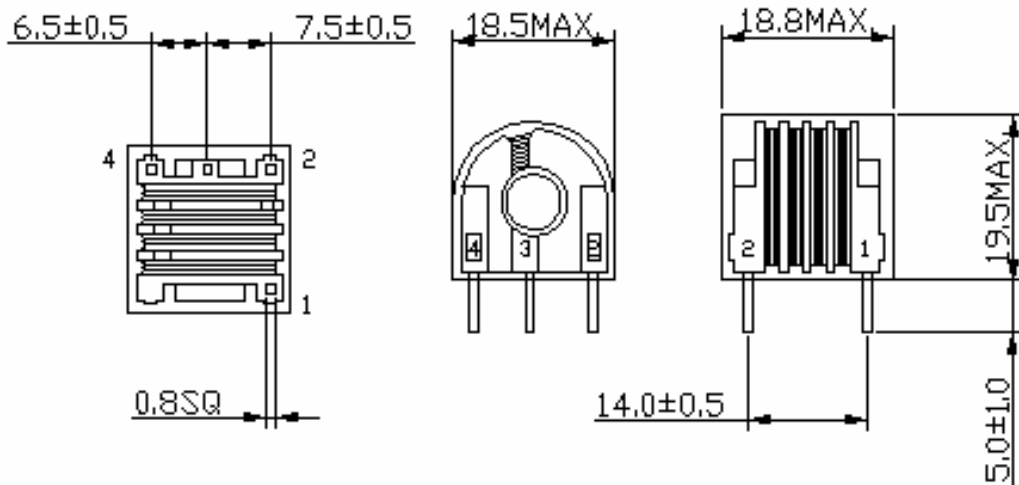
TYPE:TR04-S003

## Applications:

- GAS IGNITER.
- OIL IGNITER.
- AIR CLEANER.
- ELECTRONIC OZONIZER.
- H.I.D LAMP STARTER 35 WATT MAX.

MECHANICAL DIMENSION:

UNIT mm



P/N	L(PIN3→PIN4)	L(PIN1→PIN2)	DCR(PIN3→PIN4)	DCR(PIN1→PIN2)
JC-85014	$4.0 \mu\text{H} \pm 15\%$	$165 \text{ mH} \pm 15\%$	$57 \text{ m}\Omega \text{ MAX.}$	$682 \Omega \text{ MAX.}$
JC-91146	$0.6 \mu\text{H} \pm 15\%$	$1.14 \text{ mH} \pm 15\%$	$12 \text{ m}\Omega \text{ MAX.}$	$4.8 \Omega \text{ MAX.}$

## JET CHAM ENTERPRISE CO.,LTD

ADDRESS: 3F. NO.41 CHIAU AN ST. CHUNG HO CITY TAIPEI HSIEN, TAIWAN R.O.C.

OFFICE TEL:886-2-29253396 ~ 7 FAX.:886-2-29288877

FACTORY TEL:886-2-22447326 ~ 7 FAX.:886-2-22447328

E-mail:jetcham.coil@msa.hinet.net