

SMD Transformer

TYPE:EFD1820

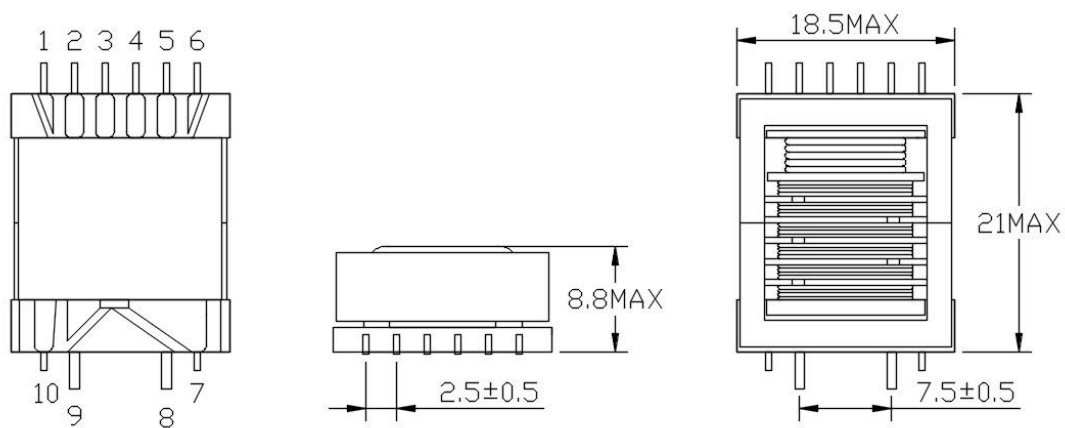
Applications:

■ DRIVING INVERTER.

※Remark:Below here which specific could depend on customized specifications are acceptable.

MECHANICAL DIMENSION:

UNIT mm



SPECIFICATION:

INPUT VOLTAGE: DC 5V~12V

OPERATION FREQUENCY: 15KHE~50KHE

MAX. OPEN VOLTAGE: 1800V rms

MAX. WATTAGE: 8 WATTAGE

JET CHAM ENTERPRISE CO.,LTD

ADDRESS: 3F. NO.41 CHIAU AN ST. CHUNG HO DIST .NEW TAIPEI CITY, TAIWAN R.O.C.

OFFICE TEL:886-2-29253396 ~ 7 FAX.:886-2-29288877

FACTORY TEL:886-2-22447326 ~ 7 FAX.:886-2-22447328

E-mail: jetcham@ms35.hinet.com / jetcham.coil@msa.hinet.net