

# Ignition Transformer

TYPE:EE19×4 E

## Applications:

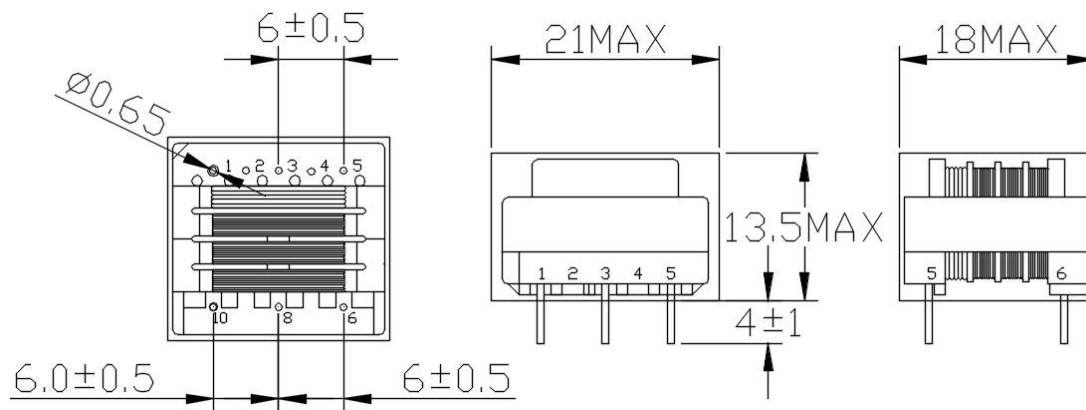
- AIR CLEANER.
- ELECTRONIC OZONIZER.
- CCFL DRIVING INVERTER.

※Remark:Below here which specific could depend on customized specifications are acceptable.

MECHANICAL DIMENSION:

UNIT mm

※EPOXY RESIN POTTING



P/N	L <sub>pri.</sub> (PIN1→PIN2)	L <sub>pri.</sub> (PIN4→PIN5)	L <sub>pri.</sub> (PIN2→PIN1)	L <sub>pri.</sub> (PIN3→PIN5)	L <sub>sec.</sub> (PIN8→PIN10)	TURNS RATIO	WEIGHT
JC-99026	64μH±15%	98μH±15%			1.8H±15%	12:15:2100	11.5 g
50061250			2.4μH±20%	200μH±15%	370mH±15%	14:1200	11.5 g

## JET CHAM ENTERPRISE CO.,LTD

ADDRESS: 3F. NO.41 CHIAU AN ST. CHUNG HO DIST .NEW TAIPEI CITY, TAIWAN R.O.C.

OFFICE TEL:886-2-29253396 ~ 7 FAX.:886-2-29288877

FACTORY TEL:886-2-22447326 ~ 7 FAX.:886-2-22447328

E-mail: [jetcham@ms35.hinet.com](mailto:jetcham@ms35.hinet.com) / [jetcham.coil@msa.hinet.net](mailto:jetcham.coil@msa.hinet.net)